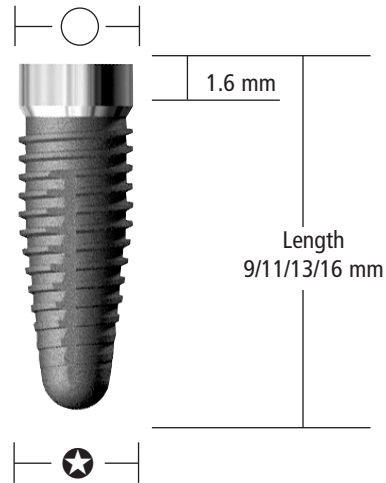


3.3 mm	○
3.8 mm	
4.3 mm	
5.0 mm	
6.0 mm	



All Root Line Implants have a Promote® surface*

Screw Line	Part Number	Diameter	Length
3.8 mm apical 2.3 mm ⚙	J1032.3809	3.8 mm	9 mm
	J1032.3811	3.8 mm	11 mm
	J1032.3813	3.8 mm	13 mm
	J1032.3816	3.8 mm	16 mm
4.3 mm apical 2.5 mm	J1032.4309	4.3 mm	9 mm
	J1032.4311	4.3 mm	11 mm
	J1032.4313	4.3 mm	13 mm
	J1032.4316	4.3 mm	16 mm
5.0 mm apical 2.9 mm	J1032.5009	5.0 mm	9 mm
	J1032.5011	5.0 mm	11 mm
	J1032.5013	5.0 mm	13 mm
	J1032.5016	5.0 mm	16 mm
6.0 mm apical 3.8 mm	J1032.6009	6.0 mm	9 mm
	J1032.6011	6.0 mm	11 mm
	J1032.6013	6.0 mm	13 mm
	J1032.6016	6.0 mm	16 mm



cylinder

healing cap (gingiformer)		
J2015.3320	J2015.3340	J2015.3360
J2015.3820	J2015.3840	J2015.3860
J2015.4320	J2015.4340	J2015.4360
J2015.5020	J2015.5040	J2015.5060
J2015.6020	J2015.6040	J2015.6060
ht. 2.0mm	ht. 4.0mm	ht. 6.0mm

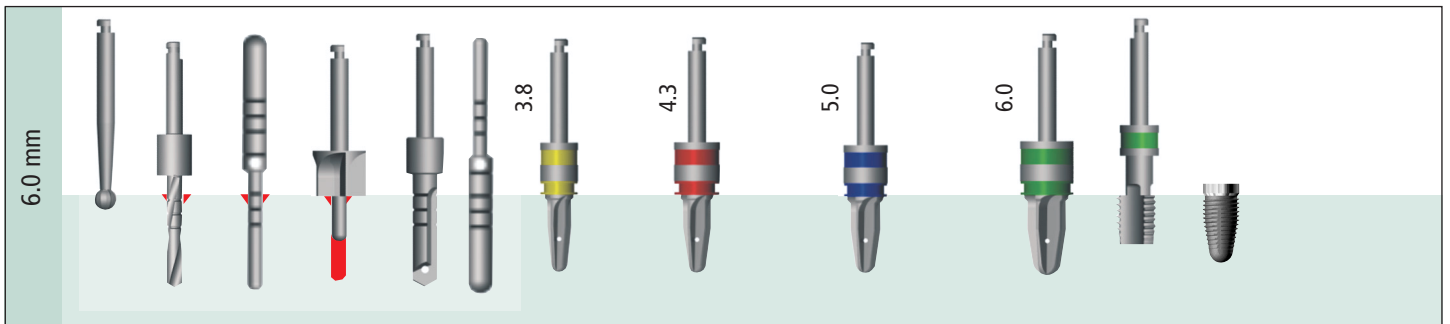
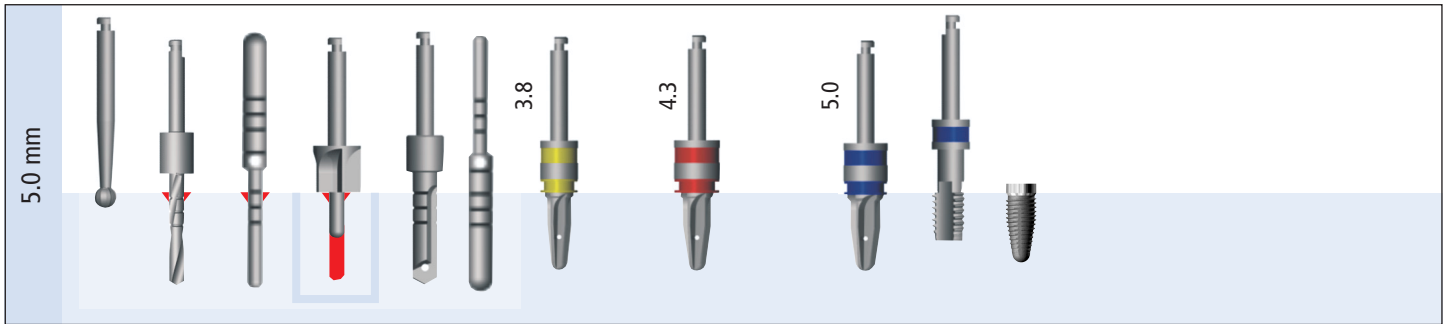
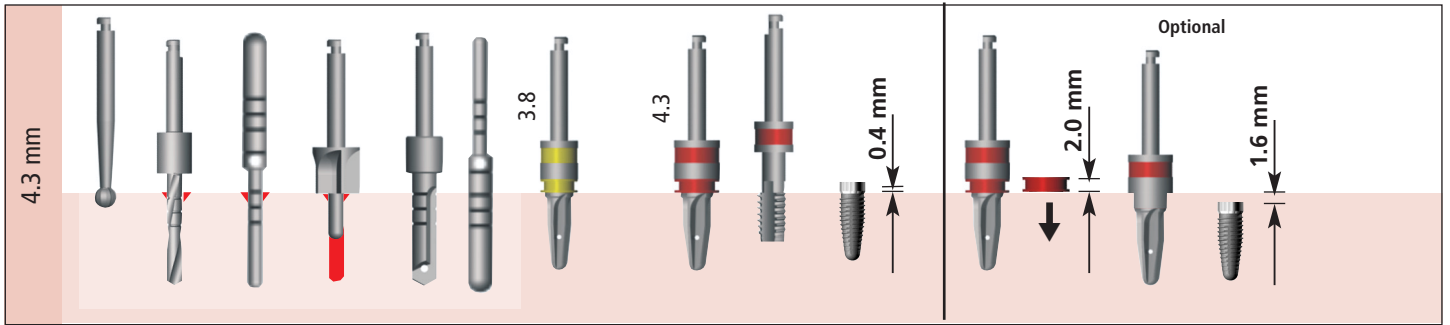
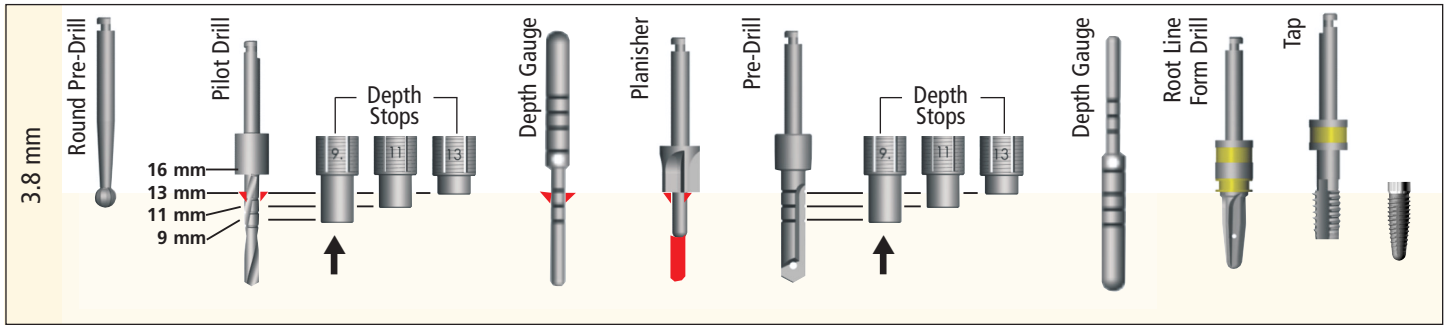


wide body



healing cap (gingiformer)		
J2013.3320	J2013.3340	J2013.3360
J2013.3820	J2013.3840	J2013.3860
J2013.4320	J2013.4340	J2013.4360
J2013.5020	J2013.5040	J2013.5060
J2013.6020	J2013.6040	J2013.6060
ht. 2.0mm	ht. 4.0mm	ht. 6.0mm

⚙ Apical Diameter Promote®: Micro-Macro Surface Note: A flat healing cap is included with each implant.

*This blasted, acid-etched surface has demonstrated the often promised characteristics for the integration of dental implants in bone, and exhibits good results in cell cultures and in bone histology. These results allow the conclusion that the Promote Micro-Macro surface leads to rapid osseointegration of the Camlog Implants.



Drill speed range: 300–800 rpm Thread cutters: 15–25 rpm

Part Number	Item	Dimension
J5320.1030	Wrench 2 in 1: Implant Placement Wrench and Adjustable Abutment Placement Ratchet (Rigid and 10, 20, and 30 Ncm)	
J5315.0501	 Screwdriver, Hex short, manual/Wrench	0.05"
J5315.0502	 Screwdriver, Hex long, manual/Wrench	0.05"